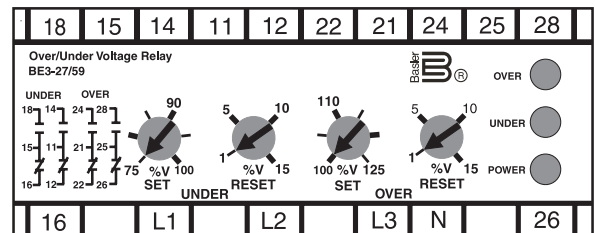
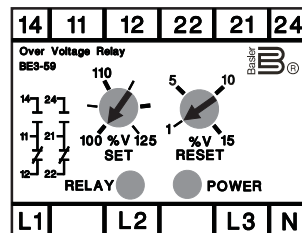
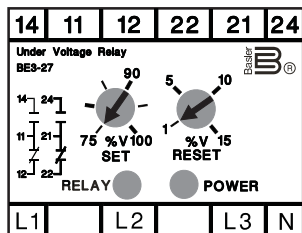


## BE3-27, BE3-59, BE3-27/59 AC VOLTAGE RELAYS

### APPLICATION:

BE3 ac voltage relays provide voltage monitoring and protection in both single and 3 phase systems. This relay can be used in applications such as utility mains failure, regulation of power supplies, and protection of voltage sensitive equipment. Undervoltage, overvoltage and combined under/overvoltage units are available. BE3 ac relays operate when the externally adjustable trip point is reached. An external reset control is provided with adjustment from 1 to 15%. Reset ensures that the parameter being measured returns to percent set above or below the trip point before the relay returns to its original state. On overvoltage units, the relay energizes when the input signal exceeds the trip point. On undervoltage units, the relay de-energizes when the input signal goes below the trip point. A red LED indicates the state of the relay, and a green LED indicates the condition of the power supply.

### CASE CONNECTIONS:



### GENERAL SPECIFICATIONS:

#### Input

Nominal line to line voltage:  
120V, 240V, 380V, 480V

Other nominal voltages: Contact the factory

Frequency: 50/60 or 400Hz

Burden: Less than 2.5VA per phase  
single units, less than 3VA per  
phase combined units

Overload: 1.5 times nominal voltage  
continuous, 2 times nominal  
voltage for 3 seconds

All units self-powered.

#### Set point

Range undervoltage: Adjustable 75% to 100%  
of nominal

Range overvoltage: Adjustable 100% to 125%  
of nominal

Reset: Adjustable 1 to 15%

Repeatability: Better than 0.5% of full span

Operating time: 200ms, typical

#### Weight and Case Size

Single function: 0.88 lbs. (0.4kg),  
2.17 in. wide (55mm)

Combined function: 1.32 lbs. (0.6kg),  
3.93 in. wide (100mm)

**Basler Electric**

ROUTE 143, BOX 269 HIGHLAND, ILLINOIS 62249, U.S.A. PHONE 618-654-2341 FAX 618-654-2351

ULB-3  
8-07

## PERFORMANCE SPECIFICATIONS:

### Environmental

Operating temperature: 0°C to 60°C (32°F to 140°F)  
 Functional temperature: -25°C to 70°C (-13°F to 158°F)  
 Storage temperature: -40°C to 70°C (-40°F to 158°F)  
 Temperature coefficient: 0.03% per °C (200ppm/°C)  
 Relative humidity: 95% noncondensing

### Agency Approvals

cULus listed to UL 508 and CSA C22.2 No. 14  
 CE compliant  
 Gost R certified #POCC US.ME05.B03391

### Insulation

Test voltage: 4kV RMS 50Hz 1min between Input, Case, and Auxiliary  
 Impulse test: EMC 5kV transient, complies with IEC 801, EN 55020  
 HF interference test: EHF 2.5kV 1MHz, complies with IEC 255-4  
 Protection class: II, complies with IEC 348

### Applied Standards

General: IEC 144, BS 5420, VDE/VDI 0435, IEC 947, EN 60947  
 Safety: BS EN 61010, DIN 57411, VDE 0411, ANSI C37  
 Surge withstand: IEC 801, EN 55020, ANSI C37-90a  
 RFI: RFI degree N, complies with VDE 0875

### Relay Output

Relay type: D.P.D.T.  
 AC Rating: 250V, 5A, nonresistive, 1200VA  
 DC Rating: 125V, 1A, resistive, 120 watts  
 Mechanical Life: 5 million operations

### Enclosure

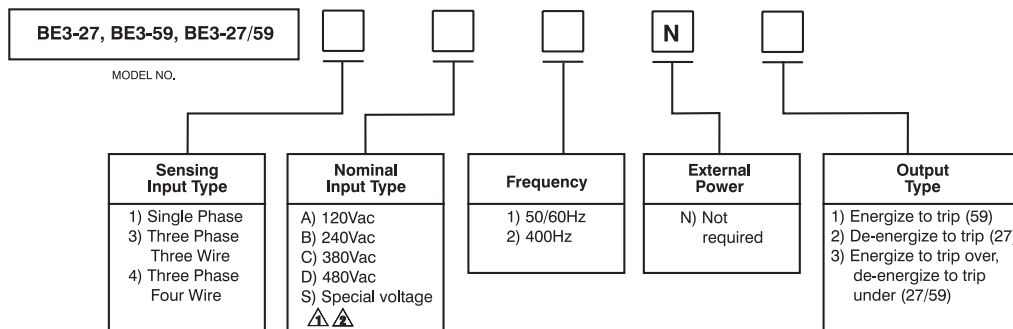
Mounting: Snap onto DIN rail 1.38in. x .29in. (35mmx7.5mm), complies with DIN-EN 50022, BS 5584  
 Any position  
 Enclosure code: Case IP 50, terminals IP 30  
 Material: Complies with UL 94 VO

## HOW TO ORDER:

Designate the Model Number followed by the complete Style Number.

Complete the Style Number by selecting one feature from each column of the Style Identification Chart and entering its designation, letter or number, in the appropriate square. Note: The description of a complete relay must include both Model Number and Style Number.

## STYLE IDENTIFICATION CHART:



For other voltage applications, contact the factory.  
 Voltages are line to line.

