

GENERAL DESCRIPTION

The LA-2000 Series are self-contained, bi-directional, linear actuators internally geared to produce up to 12,000 lbs. (53,376 N) of thrust, and offer continuous modulating duty up to 2,000 starts per hour. A variety of speeds, thrusts and motors are available which make the LA-2000 Series ideally suited for reliable positioning of dampers, combustion controls, gates, diverters, variable speed drives, or other linear positioning applications.

Most LA-2000 Series actuators are also available with an internal amplifier. These amplifiers are all full-featured ac or dc switching devices designed to work seamlessly with the actuator for closed loop control.



LA-2320

FEATURES

- Permanently lubricated for any position mounting *
- Internal or remote mounted amplifier
- Self-locking drive system to hold in last position and prevent backdriving up to thrust rating
- AC input power (single and three phase) or DC input power versions
- Wide ambient temperature range
- Two year warranty on LA-2300, LA-2400, LA-2500 and LA-2900; one year warranty on LA-2600 and LA-2700 models

BASE MODEL INCLUDES:

- Motor
- Manual override (except LA-2300)
- Automatic thrust limiting (except LA-2300)
- End of travel switches, not for customer use
- Aluminum NEMA 4 (IP65) enclosure
- Clevis mounting
- Anti-condensation heater and thermostat (except LA-2300)
- Internal spur gear train and acme power thread
- 4-20 mA transmitter for customer use (amplifier models only)

* Check with factory for vertical mounting

AMPLIFIER FEATURES

- Analog or digital available
- Isolated, two-wire, 4-20mA output
- Push button set-up for digital amplifier
- Customer-adjustable zero and span
- Adjustable deadband
- Accepts either voltage or current command inputs
- Selectable options for Loss-of-Signal action:
 - Lock in place
 - Run to preset
- Digital amplifier proportional control
- Dynamic brake

POPULAR OPTIONS (See Pages 197-206)

- Auxilliary position limit switches
- Trunnion mount (Not avail. on LA-2900 models) **
- Flange mount for LA-2300, LA-2400, LA-2600 & LA-2700 models (Not avail. in 6 inch stroke for LA-2600 & LA-2700) **
- Anti-condensation heater and thermostat (LA-2300 only)
- Integral reversing starter with overload protection (LA-2600 & 2700, 3 phase models)
- Potentiometer, contactless or 4 to 20 mA position feedback
- Battery back-up, RP-4000
- Waterproof tube and handcrank, used when tube is in up position and subject to moisture intrusion **

** Check with factory for special considerations

ACTUATOR/AMPLIFIER SPECIFICATIONS

	Models with Internal (D) or External Analog Amplifier
<i>Position Accuracy</i>	1.0 % of full travel
<i>Repeatability</i>	0.5 % of full travel
<i>Hysteresis</i>	0.5 % of full travel
<i>Linearity</i>	+/-1 % of full travel
<i>Deadband</i>	0.75 % of full travel
<i>Resolution</i>	0.75 % of full travel

REMOTE AMPLIFIER CHART

Actuator	Remote Mounted Amplifier	Catalog Page
LA-2320-N	AD-8240	173
LA-2390-N	AD-8240	173
LA-2410-N	AD-8240	173
LA-2415-N	AD-8900	177
LA-2420-N	AD-8240	173
LA-2440-N	AD-7530	170
LA-2460-N	AD-7830/AD-9120	180/184
LA-2490-N	AD-8240	173
LA-2510-N	AD-8900	177
LA-2520-N	AD-8240	173
LA-2610-N	AD-8900	177
LA-2620-N	AD-8240	173
LA-2710-N	AD-8900	177
LA-2720-N	AD-8240	173
LA-2910-N	AD-8900	177
LA-2980-N	AD-9120	184

BASIC SPECIFICATIONS FOR LA-2000 SERIES ACTUATORS

Stroke: 6 to 36 in. (152-762 mm) **

Temperature Limits: -40° to 150°F (-40° to 65°C) **

Position Limit Switches: 10 Amp SPDT switch (LA-2300, LA-2400), 20 Amp SPDT switch (LA-2500, LA-2600, LA-2700 & LA-2900), one for each end of travel

Environmental Ratings:

Model Series	Watertight	Explosion-proof Gas	Dust-Ignition Proof
LA-2300	S	NA	S
LA-2400	S	NA	S
LA-2500	S	S	S
LA-2600	S	O	O
LA-2700	S	O	O
LA-2900	S	NA	NA

KEYS: S: Standard O: Optional NA: Not Available

ENCLOSURE DEFINITIONS:

Watertight = NEMA Type 4 (IP65) Indoor/outdoor

Explosionproof Gas = NEMA Type 7 Explosion proof, Class I, Division 1, Groups C & D, indoor/outdoor

Dust-Ignition Proof = NEMA Type 9 Explosion proof, Class II, Division 1, Groups E, F & G, indoor/outdoor

Back Drive: Self-locking up to thrust rating

Field Wiring: To barrier terminal blocks

Thrust Limiting: 20 Amp, SPDT switch, one each extend and retract. Switch will change states when thrust exceeds rated thrust for actuator. (10 Amp for LA-2400) (Not available for LA-2300)

Field Wiring: To barrier terminal blocks

Approvals: See page 207

Position Switch Rating:

LA-2300 & LA-2400: 120/240 Vac, 10 amp

LA-2500, LA-2600, LA-2700 & LA-2900: 120/240 Vac, 20 amp

Approximate Weight: LA-2300: 40 lbs. (18 kg)

LA-2400: 40 lbs. (18 kg)

LA-2500: 105 lbs. (48 kg)

LA-2600: 185 lbs. (84 kg)

LA-2700: 185 lbs. (84 kg)

LA-2900: 450 lbs. (204 kg)

** Check with factory for special considerations

LA-2300 & LA-2400 SPECIFICATION CHART

Actuator Model	Input Power Volts/Phase/Hz	Current (Amps)		Maximum Thrust lbf. (N)		Speed in./sec. mm/sec.	Command Input	Input Impedance in ohms	Feed back	Modulation Rate *	Dynamic Braking	Loss of Power	Loss of Command Signal
		Run	Stall	Running	Breakaway								
LA-2320-N	120/1/50/60	2.5	2.9	750 (3336)	1500 (6672)	2.0 (50.8)	N/A	N/A	N/A	600 starts/hour	N/A	L.I.P.	N/A
LA-2320-D	120/1/50/60	2.5	2.9	750 (3336)	1500 (6672)	2.0 (50.8)	4-20 mA, 0-5 Vdc or 0-10 Vdc	200 100,000	4-20 mA, loop-powered	600 starts/hour	Yes	L.I.P.	L.I.P. or R.T.P
LA-2390-N	240/1/50/60	1.1	1.6	750 (3336)	1500 (6672)	2.0 (50.8)	N/A	N/A	N/A	600 starts/hour	N/A	L.I.P.	N/A
LA-2390-D	240/1/50/60	1.1	1.6	750 (3336)	1500 (6672)	2.0 (50.8)	4-20 mA, 0-5 Vdc or 0-10 Vdc	200 100,000	4-20 mA, loop-powered	600 starts/hour	Yes	L.I.P.	L.I.P. or R.T.P
LA-2315-N	240/480/3/50/60	0.4/0.2	1.3/0.65	1500 (6672)	N/A	0.7 (18)	N/A	N/A	N/A	2000 starts/hour	N/A	L.I.P.	N/A
	380/3/50	0.3	0.9	1500 (6672)	N/A	0.6 (15)				600 starts/hour	N/A	L.I.P.	N/A
LA-2410-N	120/1/50/60	0.9	1.2	800 (3558)	N/A	0.7 (18)	N/A	N/A	N/A	2000 starts/hour	N/A	L.I.P.	N/A
LA-2410-D	120/1/50/60	0.9	1.2	800 (3558)	N/A	0.7 (18)	4-20 mA, 0-5 Vdc or 0-10 Vdc	200 100,000	4-20 mA, loop-powered	2000 starts/hour	Yes	L.I.P.	L.I.P. or R.T.P
LA-2415-N	240/480/3/50/60	0.4/0.2	1.3/0.65	1500 (6672)	N/A	0.7 (18)	N/A	N/A	N/A	2000 starts/hour	N/A	L.I.P.	N/A
	380/3/50	0.3	0.9	1500 (6672)	N/A	0.6 (15)				600 starts/hour	N/A	L.I.P.	N/A
LA-2420-N	120/1/50/60	2.5	2.9	1500 (6672)	N/A	0.7 (18)	N/A	N/A	N/A	600 starts/hour	N/A	L.I.P.	N/A
LA-2420-D	120/1/50/60	2.5	2.9	1500 (6672)	N/A	0.7 (18)	4-20 mA, 0-5 Vdc or 0-10 Vdc	200 100,000	4-20 mA, loop-powered	600 starts/hour	Yes	L.I.P.	L.I.P. or R.T.P
LA-2440-N	24 Vdc	1.7	7.5	550 (2446)	N/A	1 (25)	N/A	N/A	N/A	2000 starts/hour	N/A	L.I.P.	N/A
LA-2450-N	240/1/50/60	0.45	0.5	800 (3558)	N/A	0.7 (18)	N/A	N/A	N/A	2000 starts/hour	N/A	L.I.P.	N/A
LA-2450-D	240/1/50/60	0.45	0.5	800 (3558)	N/A	0.7 (18)	4-20 mA, 0-5 Vdc or 0-10 Vdc	200 100,000	4-20 mA, loop-powered	2000 starts/hour	Yes	L.I.P.	L.I.P. or R.T.P
LA-2460-N	90 Vdc	1.7	1.9	550 (2446)	N/A	1 (25)	N/A	N/A	N/A	2000 starts/hour	N/A	L.I.P.	N/A
LA-2490-N	240/1/50/60	1.1	1.6	1500 (6672)	N/A	0.7 (18)	N/A	N/A	N/A	600 starts/hour	N/A	L.I.P.	N/A
LA-2490-D	240/1/50/60	1.1	1.6	1500 (6672)	N/A	0.7 (18)	4-20 mA, 0-5 Vdc or 0-10 Vdc	200 100,000	4-20 mA, loop-powered	600 starts/hour	Yes	L.I.P.	L.I.P. or R.T.P

* Minimum position change of 1% (5% for LA-2300 models)

L.I.P. = Lock-in-Place

R.T.P. = Run to Position

N/A = Not Applicable

LA-2500 & LA-2600 SPECIFICATION CHART

Actuator Model	Input Power Volts/Phase/Hz	Current (Amps)		Maximum Thrust lbf. (N)		Speed in./sec. mm/sec.	Command Input	Input Impedance in ohms	Feed back	Modulation Rate *	Dynamic Braking	Loss of Power	Loss of Command Signal
		Run	Stall	Running	Breakaway								
LA-2510-N	240/480/3/50/60	3/1.5	7.5/3.75	1600 (7117)	N/A	0.9 (23)	N/A	N/A	N/A	1200 starts/hour	N/A	L.I.P.	N/A
	380/3/50	2.4	4.7			0.8 (19)							
LA-2520-D	120/240/1/50/60	6/3	15/7.5	1600 (7117)	N/A	0.9 (23)	4-20 mA, 0-5 Vdc or 0-10 Vdc	200 100,000	4-20 mA, loop-powered	1200 starts/hour		L.I.P.	L.I.P. or R.T.P
LA-2520-E	120/240/1/50/60	6/3	15/7.5	1600 (7117)	N/A	0.9 (23)	4-20 mA, 0-5 Vdc or 0-10 Vdc	200 100,000	4-20 mA, loop-powered	1200 starts/hour		L.I.P.	L.I.P. or R.T.P
LA-2520-N	120/240/1/50/60	6/3	15/7.5	1600 (7117)	N/A	0.9 (23)	N/A	N/A	N/A	1200 starts/hour	N/A	L.I.P.	N/A
LA-2610-N	208/240/480/3/50/60	1.5/3	7.5/3.75	2500 (11120)	N/A	0.6 (15)	N/A	N/A	N/A	1200 starts/hour	N/A	L.I.P.	N/A
	380/3/50	2.4	4.7			0.5 (13)							
	208/240/480/3/50/60	3.2/1.6	24/12	3600 (16013)	N/A	0.6 (15)							
	380/3/50	2.2	13.5			0.5 (13)							
	208/240/480/3/50/60	4.2/2.1	29/14.5	4700 (20906)	N/A	0.8 (20)							
	380/3/50	2.5	16.9			0.7 (17)							
	208/240/480/3/50/60	6.2/3.1	40/20	6150 (27355)	N/A	0.5 (13)							
380/3/50	3.45	25	0.4 (11)										
LA-2610-A	240/3/50/60	1.5/3	7.5/3.75	2500 (11120)	N/A	0.6 (15)	4-20 mA, 0-5 Vdc or 0-10 Vdc	475	4-20 mA, loop-powered	1200 starts/hour	Yes	L.I.P.	L.I.P. or R.T.P
	380/3/50	2.4	4.7			0.5 (13)	4-20 mA, 0-5 Vdc or 0-10 Vdc	475	4-20 mA, loop-powered	1200 starts/hour	Yes	L.I.P.	L.I.P. or R.T.P
	480/3/50/60	1.5/3	7.5/3.75			0.6 (15)	4-20 mA, 0-5 Vdc or 0-10 Vdc	475	4-20 mA, loop-powered	1200 starts/hour	Yes	L.I.P.	L.I.P. or R.T.P
	208/3/50/60	1.5/3	7.5/3.75			0.6 (15)	4-20 mA, 0-5 Vdc or 0-10 Vdc	475	4-20 mA, loop-powered	1200 starts/hour	Yes	L.I.P.	L.I.P. or R.T.P
LA-2610-A	240/3/50/60	3.2/1.6	24/12	3600 (16013)	N/A	0.6 (15)	4-20 mA, 0-5 Vdc or 0-10 Vdc	475	4-20 mA, loop-powered	1200 starts/hour	Yes	L.I.P.	L.I.P. or R.T.P
	380/3/50	2.2	13.5			0.5 (13)	4-20 mA, 0-5 Vdc or 0-10 Vdc	475	4-20 mA, loop-powered	1200 starts/hour	Yes	L.I.P.	L.I.P. or R.T.P
	480/3/50/60	3.2/1.6	24/12			0.6 (15)	4-20 mA, 0-5 Vdc or 0-10 Vdc	475	4-20 mA, loop-powered	1200 starts/hour	Yes	L.I.P.	L.I.P. or R.T.P
	208/3/50/60	3.2/1.6	24/12			0.6 (15)	4-20 mA, 0-5 Vdc or 0-10 Vdc	475	4-20 mA, loop-powered	1200 starts/hour	Yes	L.I.P.	L.I.P. or R.T.P
LA-2610-A	240/3/50/60	4.2/2.1	29/14.5	4700 (20906)	N/A	0.8 (20)	4-20 mA, 0-5 Vdc or 0-10 Vdc	475	4-20 mA, loop-powered	1200 starts/hour	Yes	L.I.P.	L.I.P. or R.T.P
	380/3/50	2.5	16.9			0.7 (17)	4-20 mA, 0-5 Vdc or 0-10 Vdc	475	4-20 mA, loop-powered	1200 starts/hour	Yes	L.I.P.	L.I.P. or R.T.P
	480/3/50/60	4.2/2.1	29/14.5			0.8 (20)	4-20 mA, 0-5 Vdc or 0-10 Vdc	475	4-20 mA, loop-powered	1200 starts/hour	Yes	L.I.P.	L.I.P. or R.T.P
	208/3/50/60	4.2/2.1	29/14.5			0.8 (20)	4-20 mA, 0-5 Vdc or 0-10 Vdc	475	4-20 mA, loop-powered	1200 starts/hour	Yes	L.I.P.	L.I.P. or R.T.P
LA-2610-A	240/3/50/60	6.2/3.1	40/20	6150 (27355)	N/A	0.5 (13)	4-20 mA, 0-5 Vdc or 0-10 Vdc	475	4-20 mA, loop-powered	1200 starts/hour	Yes	L.I.P.	L.I.P. or R.T.P
	380/3/50	3.45	25			0.4 (11)	4-20 mA, 0-5 Vdc or 0-10 Vdc	475	4-20 mA, loop-powered	1200 starts/hour	Yes	L.I.P.	L.I.P. or R.T.P
	480/3/50/60	6.2/3.1	40/20			0.5 (13)	4-20 mA, 0-5 Vdc or 0-10 Vdc	475	4-20 mA, loop-powered	1200 starts/hour	Yes	L.I.P.	L.I.P. or R.T.P
	208/3/50/60	6.2/3.1	40/20			0.5 (13)	4-20 mA, 0-5 Vdc or 0-10 Vdc	475	4-20 mA, loop-powered	1200 starts/hour	Yes	L.I.P.	L.I.P. or R.T.P
LA-2620-N	120/240/1/50/60	6/3	15/7.5	2500 (11120)	N/A	0.6 (15)	N/A	N/A	N/A	1200 starts/hour	N/A	L.I.P.	N/A
	120/240/1/50/60	6.4/3.2	33/16.5	3600 (16013)	N/A	0.6 (15)							
LA-2620-D	120/240/1/50/60	6/3	15/7.5	2500 (11120)	N/A	0.5 (13)	4-20 mA, 0-5 Vdc or 0-10 Vdc	200 100,000	4-20 mA, loop-powered	1200 starts/hour		L.I.P.	L.I.P. or R.T.P

* Minimum position change of 1%

L.I.P. = Lock-in-Place

R.T.P. = Run to Position

N/A = Not Applicable

LA-2700 & LA-2900 SPECIFICATION CHART

Actuator Model	Input Power Volts/Phase/Hz	Current (Amps)		Maximum Thrust lbf. (N)		Speed in./sec. mm/sec.	Command Input	Input Impedance in ohms	Feed back	Modulation Rate *	Dynamic Braking	Loss of Power	Loss of Command Signal
		Run	Stall	Running	Breakaway								
LA-2710-N	208/240/480/3/50/60	3/1.5	7.5/3.75	2500 (11120)	3600 (16013)	0.6 (15)	N/A	N/A	N/A	300 starts/hour	N/A	L.I.P.	N/A
	380/3/50	2.4	4.7			0.5 (13)							
	208/240/480/3/50/60	2.4/1.2	17/8.5	3600 (16013)	4700 (20906)	0.8 (20)							
	380/3/50	2	9.7			0.7 (17)							
	208/240/480/3/50/60	3.2/1.6	24/12	1875 (8340)	4675 (20794)	0.6 (15)							
	380/3/50	2.2	13.5			0.5 (13)							
	208/240/480/3/50/60	3.2/1.6	24/12	4700 (20906)	6150 (27355)	0.8 (20)							
	380/3/50	2.2	13.5			0.7 (17)							
	208/240/480/3/50/60	4.2/2.1	29/14.5	2350 (10453)	5900 (26243)	0.8 (20)							
	380/3/50	2.5	16.9			0.7 (17)							
208/240/480/3/50/60	6.2/3.1	40/20	2800 (12454)	7000 (31136)	0.8 (20)								
380/3/50	3.45	25			0.7 (17)								
LA-2710-A	240/3/50/60	3/1.5	7.5/3.75	2500 (11120)	3600 (16013)	0.6 (15)	4-20 mA, 0-5 Vdc or 0-10 Vdc	475	4-20 mA, loop-powered	300 starts/hour	Yes	L.I.P.	L.I.P. or R.T.P
	380/3/50	2.4	4.7			0.5 (13)	4-20 mA, 0-5 Vdc or 0-10 Vdc	475	4-20 mA, loop-powered	300 starts/hour	Yes	L.I.P.	L.I.P. or R.T.P
	480/3/50/60	3/1.5	7.5/3.75			0.6 (15)	4-20 mA, 0-5 Vdc or 0-10 Vdc	475	4-20 mA, loop-powered	300 starts/hour	Yes	L.I.P.	L.I.P. or R.T.P
	208/3/50/60	3/1.5	7.5/3.75			0.6 (15)	4-20 mA, 0-5 Vdc or 0-10 Vdc	475	4-20 mA, loop-powered	300 starts/hour	Yes	L.I.P.	L.I.P. or R.T.P
LA-2710-A	240/3/50/60	2.4/1.2	17/8.5	3600 (16013)	4700 (20906)	0.8 (20)	4-20 mA, 0-5 Vdc or 0-10 Vdc	475	4-20 mA, loop-powered	300 starts/hour	Yes	L.I.P.	L.I.P. or R.T.P
	380/3/50	2	9.7			0.7 (17)	4-20 mA, 0-5 Vdc or 0-10 Vdc	475	4-20 mA, loop-powered	300 starts/hour	Yes	L.I.P.	L.I.P. or R.T.P
	480/3/50/60	2.4/1.2	17/8.5			0.8 (20)	4-20 mA, 0-5 Vdc or 0-10 Vdc	475	4-20 mA, loop-powered	300 starts/hour	Yes	L.I.P.	L.I.P. or R.T.P
	208/3/50/60	2.4/1.2	17/8.5			0.8 (20)	4-20 mA, 0-5 Vdc or 0-10 Vdc	475	4-20 mA, loop-powered	300 starts/hour	Yes	L.I.P.	L.I.P. or R.T.P
LA-2710-A	240/3/50/60	3.2/1.6	24/12	1875 (8340)	4675 (20794)	0.6 (15)	4-20 mA, 0-5 Vdc or 0-10 Vdc	475	4-20 mA, loop-powered	300 starts/hour	Yes	L.I.P.	L.I.P. or R.T.P
	380/3/50	2.2	13.5			0.5 (13)	4-20 mA, 0-5 Vdc or 0-10 Vdc	475	4-20 mA, loop-powered	300 starts/hour	Yes	L.I.P.	L.I.P. or R.T.P
	480/3/50/60	3.2/1.6	24/12			0.6 (15)	4-20 mA, 0-5 Vdc or 0-10 Vdc	475	4-20 mA, loop-powered	300 starts/hour	Yes	L.I.P.	L.I.P. or R.T.P
	208/3/50/60	3.2/1.6	24/12			0.6 (15)	4-20 mA, 0-5 Vdc or 0-10 Vdc	475	4-20 mA, loop-powered	300 starts/hour	Yes	L.I.P.	L.I.P. or R.T.P
LA-2710-A	240/3/50/60	3.2/1.6	24/12	4700 (20906)	6150 (27355)	0.8 (20)	4-20 mA, 0-5 Vdc or 0-10 Vdc	475	4-20 mA, loop-powered	300 starts/hour	Yes	L.I.P.	L.I.P. or R.T.P
	380/3/50	2.2	13.5			0.7 (17)	4-20 mA, 0-5 Vdc or 0-10 Vdc	475	4-20 mA, loop-powered	300 starts/hour	Yes	L.I.P.	L.I.P. or R.T.P
	480/3/50/60	3.2/1.6	24/12			0.8 (20)	4-20 mA, 0-5 Vdc or 0-10 Vdc	475	4-20 mA, loop-powered	300 starts/hour	Yes	L.I.P.	L.I.P. or R.T.P
	208/3/50/60	3.2/1.6	24/12			0.8 (20)	4-20 mA, 0-5 Vdc or 0-10 Vdc	475	4-20 mA, loop-powered	300 starts/hour	Yes	L.I.P.	L.I.P. or R.T.P
LA-2710-A	240/3/50/60	4.2/2.1	29/14.5	2350 (10453)	5900 (26243)	0.8 (20)	4-20 mA, 0-5 Vdc or 0-10 Vdc	475	4-20 mA, loop-powered	300 starts/hour	Yes	L.I.P.	L.I.P. or R.T.P
	380/3/50	2.5	16.9			0.7 (17)	4-20 mA, 0-5 Vdc or 0-10 Vdc	475	4-20 mA, loop-powered	300 starts/hour	Yes	L.I.P.	L.I.P. or R.T.P
	480/3/50/60	4.2/2.1	29/14.5			0.8 (20)	4-20 mA, 0-5 Vdc or 0-10 Vdc	475	4-20 mA, loop-powered	300 starts/hour	Yes	L.I.P.	L.I.P. or R.T.P
	208/3/50/60	4.2/2.1	29/14.5			0.8 (20)	4-20 mA, 0-5 Vdc or 0-10 Vdc	475	4-20 mA, loop-powered	300 starts/hour	Yes	L.I.P.	L.I.P. or R.T.P
LA-2710-A	240/3/50/60	6.2/3.1	40/20	2800 (12454)	7000 (31136)	0.8 (20)	4-20 mA, 0-5 Vdc or 0-10 Vdc	475	4-20 mA, loop-powered	300 starts/hour	Yes	L.I.P.	L.I.P. or R.T.P
	380/3/50	3.45	25			0.7 (17)	4-20 mA, 0-5 Vdc or 0-10 Vdc	475	4-20 mA, loop-powered	300 starts/hour	Yes	L.I.P.	L.I.P. or R.T.P
	480/3/50/60	6.2/3.1	40/20			0.8 (20)	4-20 mA, 0-5 Vdc or 0-10 Vdc	475	4-20 mA, loop-powered	300 starts/hour	Yes	L.I.P.	L.I.P. or R.T.P
	208/3/50/60	6.2/3.1	40/20			0.8 (20)	4-20 mA, 0-5 Vdc or 0-10 Vdc	475	4-20 mA, loop-powered	300 starts/hour	Yes	L.I.P.	L.I.P. or R.T.P
LA-2720-N	120/240/1/50/60	5.4/2.7	30/15	2500 (11120)	3600 (16013)	0.6 (15)	N/A	N/A	N/A	300 starts/hour	N/A	L.I.P.	N/A
	120/240/1/50/60	6/3	37.5/18.75	2500 (11120)	3600 (16013)	1.2 (30)							
	120/240/1/50/60	6.4/3.2	33/16.5	3600 (16013)	4700 (20906)	0.8 (20)							
LA-2910-N	240/480/3/50/60	4.21/2.1	29/14.5	12,000 (53376)	N/A	0.25 (6)	N/A	N/A	N/A	2000 starts/hour	N/A	L.I.P.	N/A
	380/3/50	2.5	16.9			0.21 (5)							
LA-2980-N	180 Vdc	9.2	NA	12,000 (53376)	N/A	0.25 (6)	N/A	N/A	N/A	2000 starts/hour	N/A	L.I.P.	N/A

* 10% position changes per hour

L.I.P. = Lock-in-Place

R.T.P. = Run to Position

N/A = Not Applicable

LA-2300 SERIES SELECTION CHART

Selection

1	Basic Model	LA-2320-N	1 phase, 120 Vac, without built-in digital amplifier			
		LA-2320-D	LA-2320 above with built-in digital amplifier			
		LA-2390-N	1 phase, 240 Vac, without built-in digital amplifier			
		LA-2390-D	LA-2390 above with built-in digital amplifier			
		LA-2315-N	3 phase, 208/240/380/480 Vac, without built-in analog amplifier			
2	Input Voltage	1: 120 Vac, 1 Phase, 50/60 Hz (LA-2320-N, LA-2320-D)				
		2: 240 Vac, 1 Phase, 50/60 Hz (LA-2390-N, LA-2390-D)				
		3: 380 Vac, 3 Phase, 50 Hz (LA-2315-N)				
		4: 480 Vac, 3 Phase, 50/60 Hz (LA-2315-N)				
		5: 240 Vac, 3 Phase, 50/60 Hz (LA-2315-N)				
		10: 208 Vac, 3 Phase, 50 Hz (LA-2315-N)				
3	Speed in./s. (mm/s.)	LA-2320-N, LA-2320-D, LA-2390-N & LA-2390-D				
		6"-24"	6"-18"	6"-30"	6"-36"	
		0.2/1000/500 (5.1/4448/2224)	0.4/1500/750 (10.2/6672/3336)	0.8/750/340 (20.3/3336/1512)	2.0/260/130 (50.8/1156/578)	
		LA-2315-N				
4	Breakaway Thrust lbf. (N)	LA-2315-N				
		6"-18"	6"-36"	6"-36"	6"-36"	
		0.2/1500/750 (5.1/6672/3336)	0.4/600/300 (10.2/2668/1334)	0.8/380/190 (20.3/1690/845)	2.0/150/75 (50.8/667/334)	
5	Linear Travel	(Travel less than the selected maximum is established by limit switch settings for models without amp.)				
		6: 6 inches (152 mm) (specify desired max. travel)				
		12: 12 inches (305 mm) (specify desired max. travel)				
		18: 18 inches (457 mm) (specify desired max. travel)				
		24: 24 inches (610 mm) (specify desired max. travel)				
		30: 30 inches (762 mm) (specify desired max. travel)				
36: 36 inches (914 mm) (specify desired max. travel)						

LA-2300 STANDARD OPTIONS

Code	Description	Selection
Toggles, Lights		
A001	Local Auto/Manual Toggle Switches	
A009	ON/OFF Toggle Power Switch	
Drive Arm/Adapter Clevis/Driven Arm		
D030	Trunnion Mount, not available with 6 inch stroke	
D034	Flange Mount, not avail. with 6 inch stroke	
D047	Special front clevis (provide dimensions)	
D048	Special rear clevis (provide dimensions)	
D055	Bellows for Linear Actuators	
D056	Vertical Moisture Shield	
Position Feedback		
F001	Potentiometer, 1000 ohms	
F002	Tandem Potentiometer, 1000 ohms each (not available for units with internal amplifiers)	
F003	Potentiometer, 5000 ohms (not available for units with internal amplifiers)	
F004	Potentiometer, 10,000 ohms (not available for units with internal amplifiers)	
F005	Transmitter, 4-20 mA output	
F006	One Potentiometer, 1000 ohms plus 4-20 mA Transmitter (not available for units with internal amplifiers)	
F999	Special Potentiometer (consult factory)	

Code	Description	Selection
Heater		
H002	Anti-Condensation Heater (120 VAC)	
H003	Anti-Condensation Heater (240 VAC)	
Identification/Certification		
J001	CE Marking, AC input only, (only available for units with amplifiers)	
J002	Stainless Steel Tags	
J004	One year extended warranty	
J005	Two year extended warranty	
Auxiliary Switches		
S008	Two nonadjustable end of travel position switches, SPST, 10 Amp, 120/240 Vac	
S009	Two Adjustable Position Switches, SPDT, 10 Amp, 120/240 Vac	
S010	Two Adjustable Position Switches, DPDT, 10 Amp, 120/240 Vac	
S013	Two nonadjustable end of travel position switches, SPDT, 10 Amp, 120/240 Vac	
Painting/Coating		
W001	JCI Standard Polyurethane Blue	
W002	Two Part Epoxy	

For a full description of options, go to the Complete Listing of Options starting on page 197.

LA-2400 SERIES SELECTION CHART

Selection

1	Basic Model	LA-2410-N	1 phase, 120 Vac, modulating duty, without built-in digital amplifier					
		LA-2410-D	LA-2410 above with built-in digital amplifier					
		LA-2415-N	3 phase, 208/240/380/480 Vac, modulating duty, without built-in analog amplifier					
		LA-2420-N	1 phase, 120 Vac, intermittent duty, without built-in digital amplifier					
		LA-2420-D	LA-2420 above with built-in digital amplifier					
		LA-2440-N	24 Vdc (perm. magnet field), modulating duty, without built-in analog amplifier					
		LA-2450-N	1 phase, 240 Vac, modulating duty, without built-in digital amplifier					
		LA-2450-D	LA-2450 above with built-in digital amplifier					
		LA-2460-N	90 Vdc (perm. magnet field), modulating duty, without built-in amplifier					
		LA-2490-N	1 phase, 240 Vac, intermittent duty, without built-in digital amplifier					
		LA-2490-D	LA-2490 above with built-in digital amplifier					
2	Input Voltage	1: 120 Vac, 1 Phase, 50/60 Hz (LA-2410-N, LA-2410-D, LA-2420-N and LA-2420-D)						
		2: 240 Vac, 1 Phase, 50/60 Hz (LA-2450-N, LA-2450-D, LA-2490-N and LA-2490-D)						
		3: 380 Vac, 3 Phase, 50 Hz (LA-2415-N)						
		4: 480 Vac, 3 Phase, 50/60 Hz (LA-2415-N)						
		5: 240 Vac, 3 Phase, 50/60 Hz (LA-2415-N)						
		6: 24 Vdc voltage designator (LA-2440-N)						
		7: 90 Vdc voltage designator (LA-2460-N)						
		10: 208 Vac, 3 Phase, 50 Hz (LA-2415-N)						
		19: 220 Vac, 1 Phase (LA-2450-D and LA-2490-D)						
		3	Speed in./s. (mm/s.)	LA-2410-N, LA-2410-D LA-2415-N		LA-2420-N, LA-2420-D LA-2490-N, LA-2490-D		
6"-18"	24"			6"	6"-12"	12"-18"	24"	6"-24"
4	Thrust lbf. (N)	0.1/800 (2.5/3558)	0.1/550 (2.5/2446)	0.1/1500 (2.5/6672)	0.1/1200 (2.5/5338)	0.1/1000 (2.5/4448)	0.1/800 (2.5/3558)	0.2/550 (5.1/2446)
		0.2/800 (5.1/3558)	0.2/550 (5.1/2446)	0.2/1500 (5.1/6672)	0.2/1200 (5.1/5338)	0.2/1000 (5.1/4448)	0.2/800 (5.1/3558)	0.25/550 (6.4/2446)
		0.4/200 (10.2/890)	0.4/200 (10.2/890)		0.4/550 (10.2/2446)	0.4/550 (10.2/2446)	0.4/550 (10.2/2446)	0.6/150 (15.2/667)
		0.7/200 (17.8/890)	0.7/200 (17.8/890)		0.7/450 (17.8/2002)	0.7/450 (17.8/2002)	0.7/450 (17.8/2002)	1/150 (25.4/667)
5	Linear Travel *	(Travel less than the selected maximum is established by limit switch settings for models without amp.)						
		6: 6 inches (152 mm), specify desired max. travel, (1500 lbf. maximum)						
		12: 12 inches (305 mm), specify desired max. travel, (800 lbf. maximum)						
		18: 18 inches (457 mm), specify desired max. travel, (800 lbf. maximum)						
		24: 24 inches (610 mm), specify desired max. travel, (550 lbf. maximum)						

* Contact factory for greater stroke lengths

LA-2400 STANDARD OPTIONS

Code	Description	Selection
Toggles, Lights		
A001	Local Auto/Manual Toggle Switches	
A009	ON/OFF Toggle Power Switch	
Drive Arm/Adapter Clevis/Driven Arm		
D031	Trunnion Mount, not available with 6 inch stroke	
D044	Flange Mount, not avail. with 6 inch stroke	
D045	Female front clevis	
D046	Female rear clevis	
D047	Special front clevis (provide dimensions)	
D048	Special rear clevis (provide dimensions)	
D055	Bellows for Linear Actuators	
D056	Vertical Moisture Shield	
D058	Rotating clevis	
Position Feedback		
F001	Potentiometer, 1000 ohms	
F002	Tandem Potentiometer, 1000 ohms each (not available for units with internal amplifiers)	
F003	Potentiometer, 5000 ohms (not available for units with internal amplifiers)	
F004	Potentiometer, 10,000 ohms (not available for units with internal amplifiers)	
F005	Transmitter, 4-20 mA output	
F006	One Potentiometer, 1000 ohms plus 4-20 mA Transmitter (not available for units with internal amplifiers)	
F999	Special Potentiometer (consult factory)	

Code	Description	Selection
Identification/Certification		
J001	CE Marking, AC input only (only available for units with amplifiers)	
J002	Stainless Steel Tags	
Auxiliary Switches		
S008	Two nonadjustable end of travel position switches, SPST, 10 Amp, 120/240 Vac	
S009	Two Adjustable Position Switches, SPDT, 10 Amp, 120/240 Vac	
S010	Two Adjustable Position Switches, DPDT, 10 Amp, 120/240 Vac	
S013	Two nonadjustable end of travel position switches, SPDT, 10 Amp, 120/240 Vac	
Painting/Coating		
W001	JCI Standard Polyurethane Blue	
W002	Two Part Epoxy	

For a full description of options, go to the Complete Listing of Options starting on page 197.

LA-2500 SERIES SELECTION CHART

Selection

1	Basic Model	LA-2510-N	3 phase, 208/240/380/480 Vac, without built-in analog amplifier	
		LA-2520-N	1 phase, 120/240 Vac, without built-in digital amplifier	
		LA-2520-D	LA-2520 above with built-in digital amplifier	
		LA-2520-E	LA-2520 above with built-in "QuikSet" amplifier	
2	Input Voltage	1:	120 Vac, 1 Phase, 50/60 Hz (LA-2520-N, LA-2520-D or LA-2520-E)	
		2:	240 Vac, 1 Phase, 50/60 Hz (LA-2520-N, LA-2520-D or LA-2520-E)	
		3:	380 Vac, 3 Phase, 50 Hz (LA-2510-N)	
		4:	480 Vac, 3 Phase, 50/60 Hz (LA-2510-N)	
		5:	240 Vac, 3 Phase, 50/60 Hz (LA-2510-N)	
		10:	208 Vac, 3 Phase, 50 Hz (LA-2510-N)	
3	Speed in./s.		0.9/800 (23/3558)	
			0.9/1200 (23/5338)	
4	Thrust lbf. (N)		0.9/1600 (23/7117)	
5	Linear Travel *	6:	6 inches (152.4 mm)	
		12A:	12 inches (304.8 mm) (clevis to clevis dimension of 24.88 inches (631.9 mm), ITT equivalent)	
		12B:	12 inches (304.8 mm) (clevis to clevis dimension of 25.38 inches (644.6 mm), LA-2601 equivalent)	
		12C:	12 inches (304.8 mm) (standard clevis to clevis dimension of 26.50 inches (673 mm) - LA-2800 equivalent)	
		12D:	12 inches (304.8 mm) (clevis to clevis dimension of 26.59 inches (675.3mm), B&W MC-107xx equivalent)	
		18:	18 inches (457.2 mm)	
		24:	24 inches (609.6 mm)	

* Contact factory for greater stroke lengths

LA-2500 STANDARD OPTIONS

Code	Description	Selection
Toggles, Lights		
A003	Local Auto/Manual Toggle Switches & INC/OFF/DEC Toggles (A001 & A002)	
A009	ON/OFF Toggle Power Switch	
Brake		
B004	Drag Brake (800 lbs. maximum)	
Drive Arm/Adapter Clevis/Driven Arm		
D032	Trunnion Mount (not avail. for 6" stroke)	
D049	Special front clevis (provide dimensions)	
D050	Special rear clevis (provide dimensions)	
D055	Bellows for Linear Actuators	
Position Feedback		
F001	Potentiometer, 1000 ohms	
F002	Tandem Potentiometer, 1000 ohms each (not avail. for units with internal amplifiers)	
F003	Potentiometer, 5000 ohms (not available for units with internal amplifiers)	
F004	Potentiometer, 10,000 ohms (not available for units with internal amplifiers)	
F005	Transmitter, 4-20 mA output	
F006	One Potentiometer, 1000 ohms plus 4-20 mA Transmitter (not available for units with internal amplifiers)	
F999	Special Potentiometer (consult factory)	
Identification/Certification		
J002	Stainless Steel Tags	
J004	One year extended warranty	
J005	Two year extended warranty	

Code	Description	Selection
Auxiliary Switches		
S001	Two Adjustable Position Switches, SPDT, 20 Amp, 120/240 Vac	
S002	Two Adjustable Position Switches, DPDT, 20 Amp, 120/240 Vac	
S003	Four Adjustable Position Switches, SPDT, 20 Amp, 120/240 Vac (Not available with F002 or F006)	
S004	Four Adjustable Position Switches, DPDT, 20 Amp, 120/240 Vac (Not available with F002 or F006)	
S008	Two nonadjustable end of travel position switches, SPST, 10 Amp, 120/240 Vac	
S014	Two nonadjustable end of travel position switches, SPDT, 20 Amp, 120/240 Vac	
S017	Two nonadjustable thrust limit switches SPDT, 10 Amp, 120/240 Vac	
S021	Two nonadjustable thrust limit switches SPST, 20 Amp, 120/240 Vac	
Conduit Entries		
V001	1/2 inch Conduit Entry Additional (NEMA 4)	
Painting/Coating		
W001	JCI Standard Polyurethane Blue	
W002	Two Part Epoxy	

For a full description of options, go to the Complete Listing of Options starting on page 197.

LA-2600 SERIES SELECTION CHART

Selection

1	Basic Model	LA-2610-N	3 phase, 208/240/380/480 Vac, intermittent duty, without built-in analog amplifier	
		LA-2610-A	LA-2610 above with built-in analog amplifier, intermittent duty	
		LA-2620-N	1 phase, 120/240 Vac, intermittent duty, without built-in digital amplifier	
		LA-2620-D	LA-2620 above with built-in digital amplifier, intermittent duty	
2	Input Voltage	1: 120 Vac, 1 Phase, 50/60 Hz (LA-2620-N, LA-2620-D)		
		2: 240 Vac, 1 Phase, 50/60 Hz (LA-2620-N, LA-2620-D)		
		3: 380 Vac, 3 Phase, 50 Hz (LA-2610-N, LA-2610-A)		
		4: 480 Vac, 3 Phase, 50/60 Hz (LA-2610-N, LA-2610-A)		
		5: 240 Vac, 3 Phase, 50/60 Hz (LA-2610-N, LA-2610-A)		
3	Speed in./s. (mm/s.)	Available as 1 or 3 phase		
		0.6/2500 (15/11120) (With AD-8130, 0.5/2500)		
		0.6/3600 (15/16013) (Not available with LA-2620-A)		
4	Thrust lbf. (N)	Available as 3 phase only		
		0.8/4700 (20/20906)		
		0.5/6150 (20/27355)		
5	Linear Travel *	Up to 3600 lbf.	Greater than 3600 lbf.	
		6: 6 inches (152 mm)	6: 6 inches (152 mm)	
		12: 12 inches (305 mm)	12: 12 inches (305 mm)	
		18: 18 inches (457 mm)	18: 18 inches (457 mm)	
		24: 24 inches (610 mm)	24: 24 inches (610 mm)	
		30: 30 inches (762 mm)	30: 30 inches (762 mm)	

* Contact factory for greater stroke lengths

LA-2600 STANDARD OPTIONS

Code	Description	Selection
Toggles, Lights		
A003	Local Auto/Manual Toggle Switches & INC/OFF/DEC Toggles (A001 & A002)	
A009	ON/OFF Toggle Power Switch	
Drive Arm/Adapter Clevis/Driven Arm		
D033	Trunnion Mount, up to 3600 lbf. (Not available for 6" stroke)	
D035	Flange Mount, up to 3600 lbf. (Not available for 6" stroke)	
D051	Special front clevis (provide dimensions)	
D052	Special rear clevis (provide dimensions)	
Enclosure		
E003	Explosion-Proof - Class 1, Div. 1, Groups C & D, Class II, Div. 1, Groups E, F & G (Only available for 2500 and 3600 lbf. Models)	
Position Feedback		
F001	Potentiometer, 1000 ohms	
F002	Tandem Potentiometer, 1000 ohms each (not avail. for units with internal amplifiers)	
F003	Potentiometer, 5000 ohms (not available for units with internal amplifiers)	
F004	Potentiometer, 10,000 ohms (not available for units with internal amplifiers)	
F005	Transmitter, 4-20 mA output	
F006	One Potentiometer, 1000 ohms plus 4-20 mA Transmitter (not available for units with internal amplifiers)	
F999	Special Potentiometer (consult factory)	

Code	Description	Selection
3-Phase Controls		
G001	3-Phase Contactor with Overloads	
G002	Control Transformer	
Identification/Certifications		
J002	Stainless Steel Tags	
J004	One year extended warranty	
J005	Two year extended warranty	
Auxiliary Switches		
S001	Two Adjustable Position Switches, SPDT, 20 Amp, 120/240 Vac	
S002	Two Adjustable Position Switches, DPDT, 20 Amp, 120/240 Vac	
S003	Four Adjustable Position Switches, SPDT, 20 Amp, 120/240 Vac	
S004	Four Adjustable Position Switches, DPDT, 20 Amp, 120/240 Vac	
S014	Two nonadjustable end of travel position switches, SPDT, 20 Amp, 120/240 Vac	
S019	Two nonadjustable end of travel position switches, SPST, 20 Amp, 120/240 Vac	
S021	Two nonadjustable thrust limit switches SPST, 20 Amp, 120/240 Vac	
S022	Two nonadjustable thrust limit switches SPDT, 20 Amp, 120/240 Vac	
Painting/Coating		
W001	JCI Standard Polyurethane Blue	
W002	Two Part Epoxy	

For a full description of options, go to the Complete Listing of Options starting on page 197.

LA-2700 SERIES SELECTION CHART

Selection

1	Basic Model	LA-2710-N	3 phase, 208/240/380/480 Vac, intermittent duty, without built-in analog amplifier	
		LA-2710-A	LA-2710 above with built-in digital amplifier, intermittent duty	
		LA-2720-N	1 phase, 120/240 Vac, intermittent duty, without built-in amplifier	
2	Input Voltage	1: 120 Vac, 1 Phase, 50/60 Hz (LA-2720-N)		
		2: 240 Vac, 1 Phase, 50/60 Hz (LA-2720-N)		
		3: 380 Vac, 3 Phase, 50 Hz (LA-2710-N, LA-2710-A)		
		4: 480 Vac, 3 Phase, 50/60 Hz (LA-2710-N, LA-2710-A)		
		5: 240 Vac, 3 Phase, 50/60 Hz (LA-2710-N, LA-2710-A)		
		10: 208 Vac, 3 Phase, 50/60 Hz (LA-2710-N, LA-2710-A)		
3	Speed (a) in./s. (mm/s.)	Available as 1 or 3 phase		
		0.6/2500/3600 (15/11120/16013)		
		0.8/3600/4700 (15/16013/20906)		
4	Thrust, lbf. (N) Running	Available as 3 phase only		
		0.6/1875/4675 (15/8340/20794)		
	Thrust, lbf. (N) Breakaway	0.8/2350/5900 (20/10452/26243)		
		0.8/4700/6150 (20/20906/27355)		
5	Linear Travel *	Up to 3600 lbf.		Greater than 3600 lbf.
		6: 6 inches (152 mm)	6: 6 inches (152 mm)	
		12: 12 inches (305 mm)	12: 12 inches (305 mm)	
		18: 18 inches (457 mm)	18: 18 inches (457 mm)	
		24: 24 inches (610 mm)	24: 24 inches (610 mm)	
		30: 30 inches (762 mm)	30: 30 inches (762 mm)	

* Contact factory for greater stroke lengths

LA-2700 STANDARD OPTIONS

Code	Description	Selection
Toggles, Lights		
A003	Local Auto/Manual Toggle Switches & INC/OFF/DEC Toggles (A001 & A002)	
A009	ON/OFF Toggle Power Switch	
Drive Arm/Adapter Clevis/Driven Arm		
D033	Trunnion Mount, up to 3600 lbf. (Not available for 6" stroke)	
D035	Flange Mount, up to 3600 lbf. (Not available for 6" stroke)	
D051	Special front clevis (provide dimensions)	
D052	Special rear clevis (provide dimensions)	
Enclosure		
E003	Explosion-Proof - Class 1, Div. 1, Groups C & D, Class II, Div. 1, Groups E, F & G	
Position Feedback		
F001	Potentiometer, 1000 ohms	
F002	Tandem Potentiometer, 1000 ohms each (not avail. for units with internal amplifiers)	
F003	Potentiometer, 5000 ohms (not available for units with internal amplifiers)	
F004	Potentiometer, 10,000 ohms (not available for units with internal amplifiers)	
F005	Transmitter, 4-20 mA output	
F006	One Potentiometer, 1000 ohms plus 4-20 mA Transmitter (not available for units with internal amplifiers)	
F999	Special Potentiometer (consult factory)	

Code	Description	Selection
3-Phase Controls		
G001	3-Phase Contactor with Overloads	
G002	Control Transformer	
Identification/Certifications		
J002	Stainless Steel Tags	
J004	One year extended warranty	
J005	Two year extended warranty	
Auxiliary Switches		
S001	Two Adjustable Position Switches, SPDT, 20 Amp, 120/240 Vac	
S002	Two Adjustable Position Switches, DPDT, 20 Amp, 120/240 Vac	
S003	Four Adjustable Position Switches, SPDT, 20 Amp, 120/240 Vac	
S004	Four Adjustable Position Switches, DPDT, 20 Amp, 120/240 Vac	
S014	Two nonadjustable end of travel position switches, SPDT, 20 Amp, 120/240 Vac	
S019	Two nonadjustable end of travel position switches, SPST, 20 Amp, 120/240 Vac	
S021	Two nonadjustable thrust limit switches SPST, 20 Amp, 120/240 Vac	
S022	Two nonadjustable thrust limit switches SPDT, 20 Amp, 120/240 Vac	
Painting/Coating		
W001	JCI Standard Polyurethane Blue	
W002	Two Part Epoxy	

For a full description of options, go to the Complete Listing of Options starting on page 197.

LA-2900 SERIES SELECTION CHART

Selection

1	Basic Model	LA-2910-N	3 phase, 240/380/480 Vac, modulating duty, without built-in analog amplifier	
		LA-2980-N	180 Vdc (permanent magnet field), modulating duty, without built-in analog amplifier	
2	Input Voltage	3:	380 Vac, 3 Phase, 50 Hz (LA-2910-N)	
		4:	480 Vac, 3 Phase, 50/60 Hz (LA-2910-N)	
		5:	240 Vac, 3 Phase, 50/60 Hz (LA-2910-N)	
		8:	180 Vdc (LA-2980-N)	
3	Speed in./s. (mm/s.)	0.25/2000	(635/8896)	
		0.25/4000	(635/17792)	
		0.25/6000	(635/26688)	
4	Thrust lbf. (N)	0.25/8000	(635/35584)	
		0.25/10,000	(635/44480)	
		0.25/12,000	(635/53376)	
5	Linear Travel *	6:	6 inches (152.4 mm)	
		12:	12 inches (304.8 mm)	
		18:	18 inches (457.2 mm)	
		24:	24 inches (609.6 mm)	
		30:	30 inches (762 mm)	

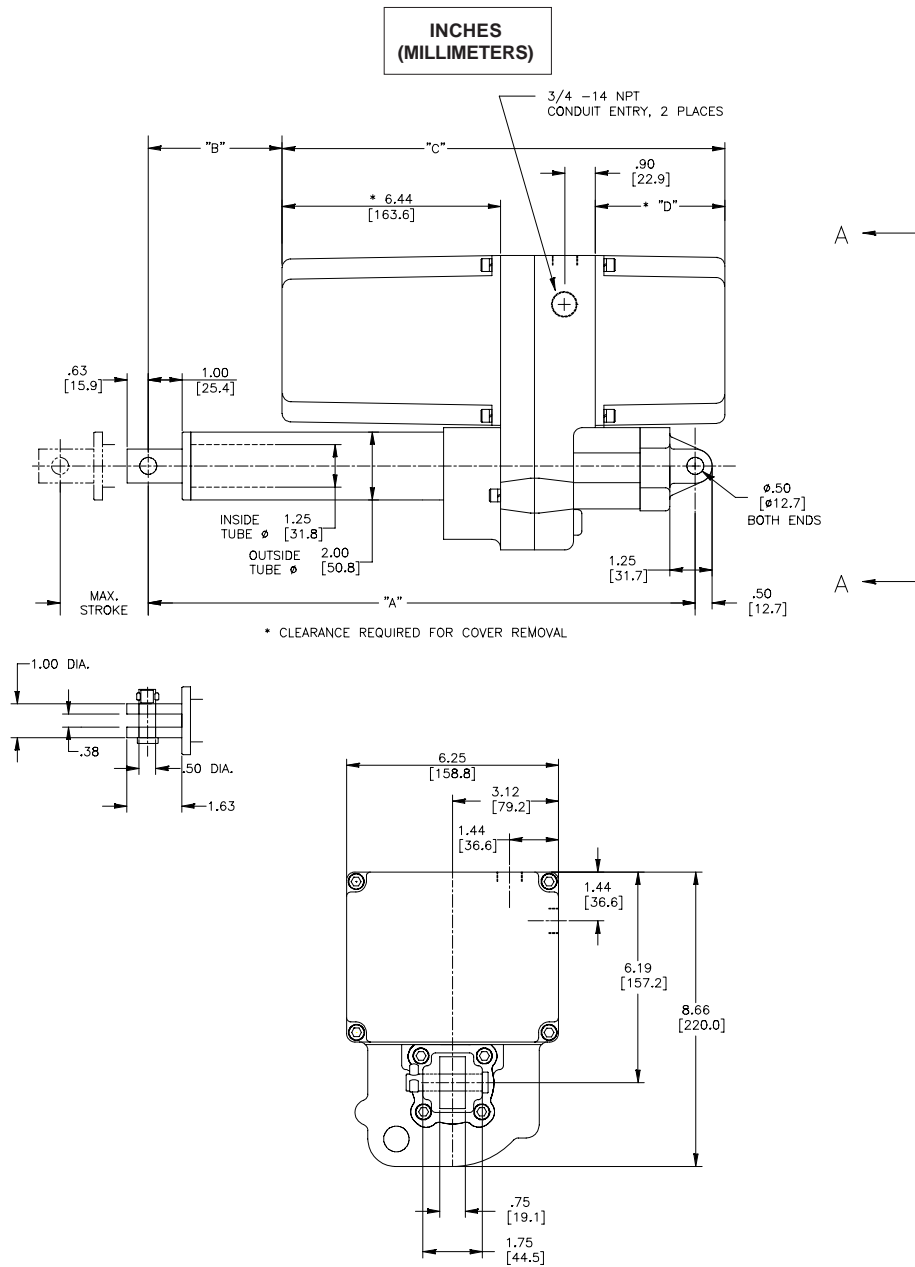
* Contact factory for greater stroke lengths

LA-2900 STANDARD OPTIONS

Code	Description	Selection
Drive Arm/Adapter Clevis/Driven Arm		
D053	Special front clevis (provide dimensions)	
D054	Special rear clevis (provide dimensions)	
Position Feedback		
F001	Potentiometer, 1000 ohms	
F002	Tandem Potentiometer, 1000 ohms each	
F003	Potentiometer, 5000 ohms	
F004	Potentiometer, 10,000 ohms	
F005	Transmitter, 4-20 mA output	
F006	One Potentiometer, 1000 ohms plus 4-20 mA Transmitter	
F999	Special Potentiometer (consult factory)	
Identification/Certifications		
J002	Stainless Steel Tags	
J004	One year extended warranty	
J005	Two year extended warranty	
Auxiliary Switches		
S014	Two nonadjustable end of travel position switches, SPDT, 20 Amp, 120/240 Vac	
S019	Two nonadjustable end of travel position switches, SPST, 20 Amp, 120/240 Vac	
S021	Two nonadjustable thrust limit switches SPST, 20 Amp, 120/240 Vac	
S022	Two nonadjustable thrust limit switches SPDT, 20 Amp, 120/240 Vac	
Painting/Coating		
W001	JCI Standard Polyurethane Blue	
W002	Two Part Epoxy	

For a full description of options, go to the Complete Listing of Options starting on page 197.

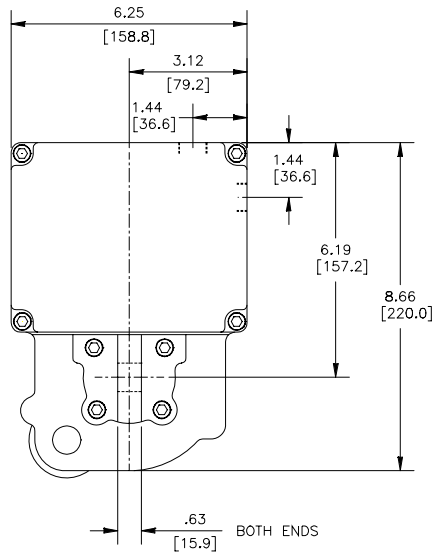
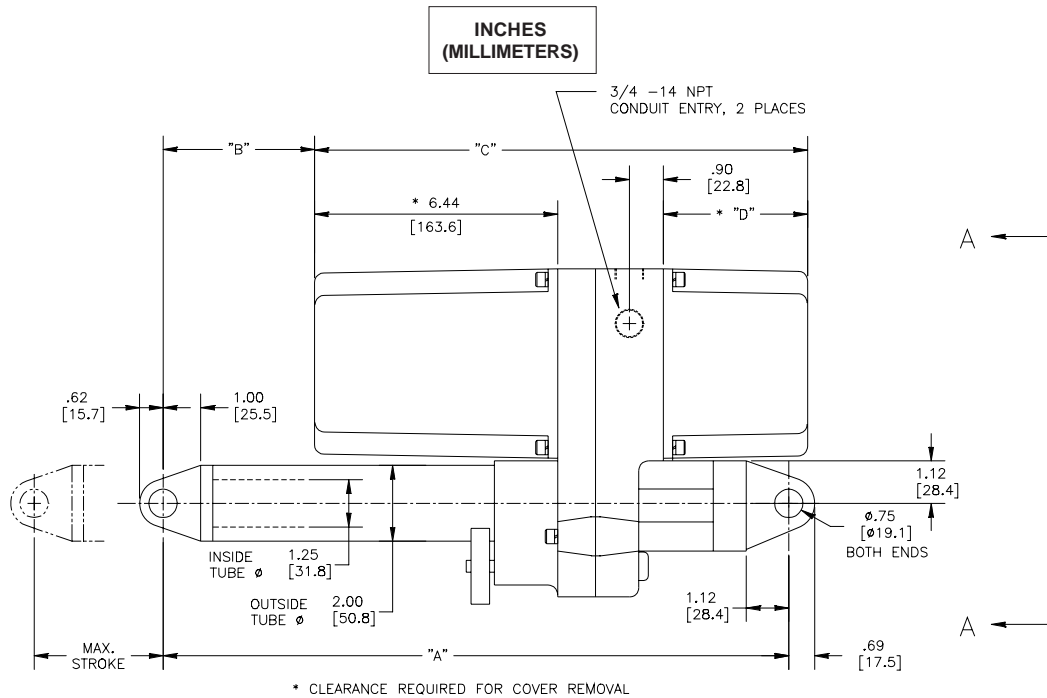
LA-2300 MAJOR DIMENSIONS



Stroke in. (mm)	A	B	C	D	
				Without Amp	With amp
6 (152)	15.43 (392)	2.83 (72)	6 max. (152)	3.81 (97)	6.44 (164)
12 (305)	21.43 (544)	8.83 (224)	12 max. (305)	3.81 (97)	6.44 (164)
18 (457)	27.43 (697)	14.83 (377)	18 max. (457)	3.81 (97)	6.44 (164)
24 (609)	33.43 (849)	20.83 (529)	24 max. (609)	3.81 (97)	6.44 (164)
30 (762)	39.43 (1002)	26.83 (681)	30 max. (762)	3.81 (97)	6.44 (164)
36 (914)	45.43 (1154)	32.83 (834)	36 max. (914)	3.81 (97)	6.44 (164)

These dimensions are subject to change without notice and should not be used for preparation of drawings or fabrication of installation mounting. For current installation manuals and other product information, see www.jordancontrols.com.

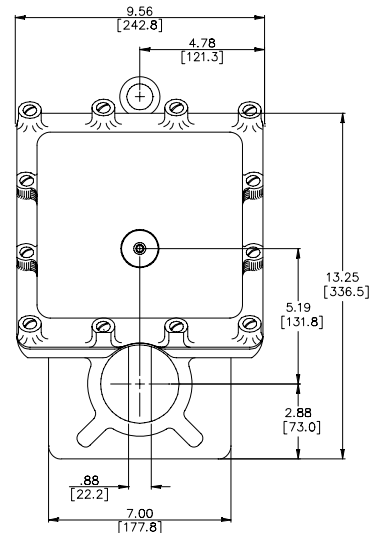
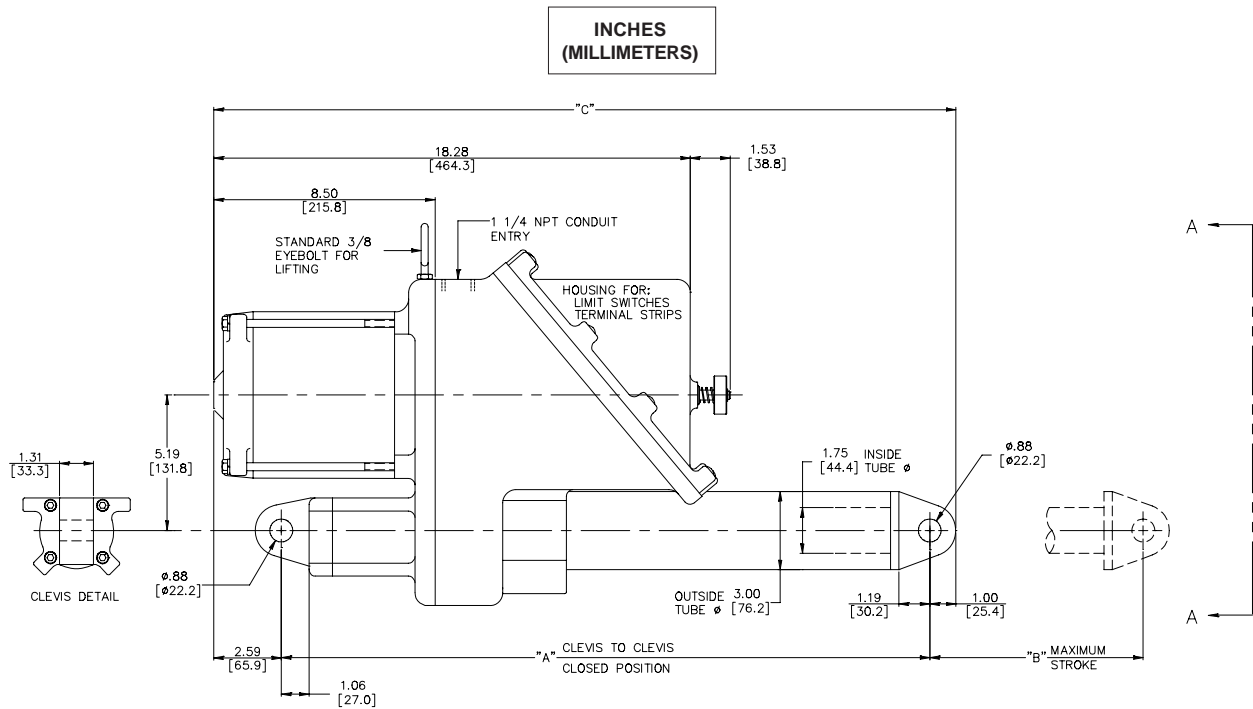
LA-2400 MAJOR DIMENSIONS



Stroke in. (mm)	A	B	C		D	
			Without Amp	With amp	Without Amp	With amp
2 (51) to 6 (152)	16.61 (410)	4.01 (102)	13.1 (333)	15.73 (400)	3.81 (97)	6.44 (164)
6.01 (153) to 12 (305)	22.61 (574)	10.01 (254)	13.1 (333)	15.73 (400)	3.81 (97)	6.44 (164)
12.01 (305) to 18 (457)	28.61 (727)	16.01 (407)	13.1 (333)	15.73 (400)	3.81 (97)	6.44 (164)
18.01 (457) to 24 (610)	34.61 (879)	22.01 (559)	13.1 (333)	15.73 (400)	3.81 (97)	6.44 (164)

These dimensions are subject to change without notice and should not be used for preparation of drawings or fabrication of installation mounting. For current installation manuals and other product information, see www.jordancontrols.com.

LA-2500 MAJOR DIMENSIONS

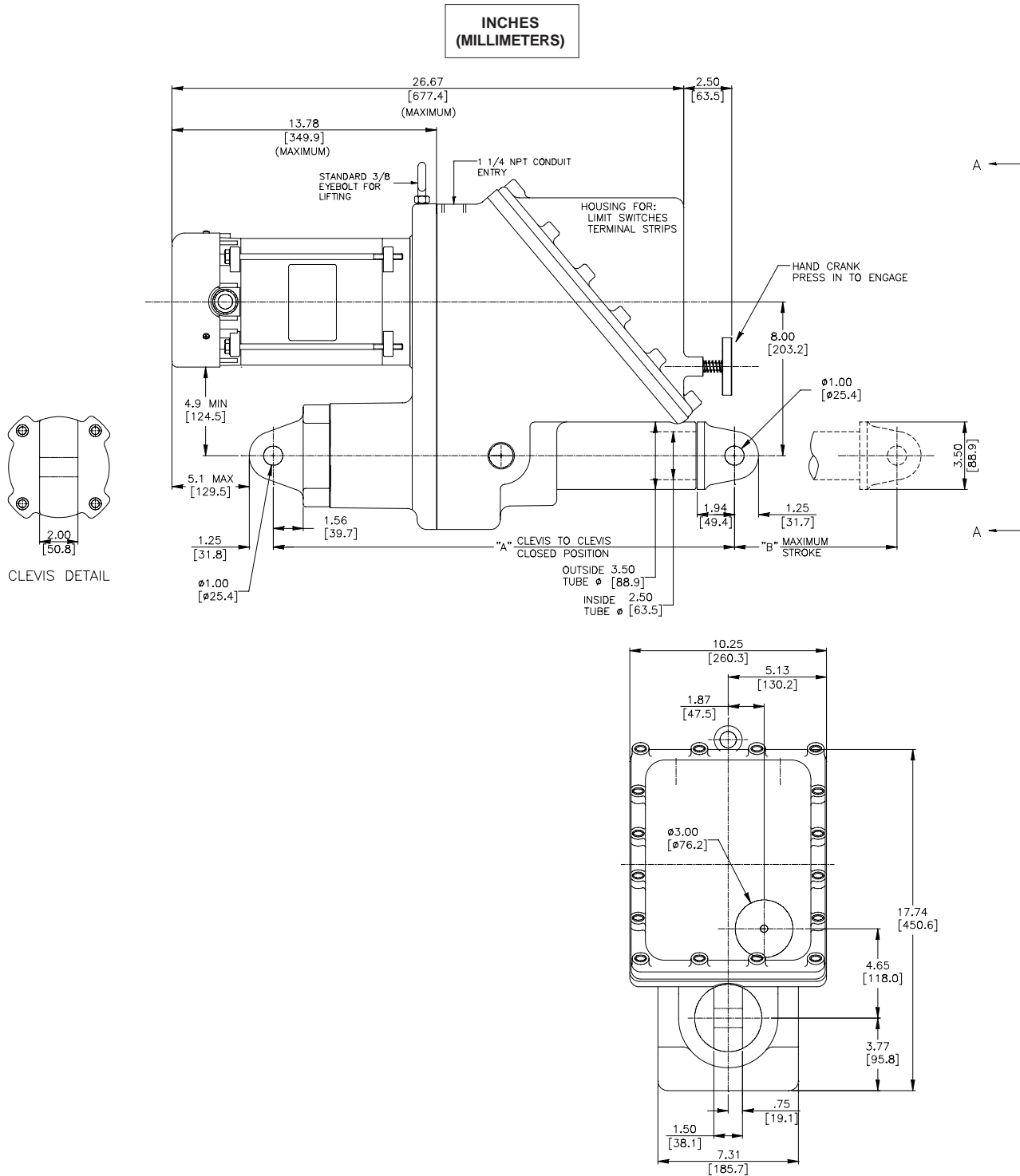


VIEW A-A

Stroke in. (mm)	A	B Linear Travel	C
6 (152)	20.5 (521)	6	24.09 (612)
12 (305)	24.88 (632)	12A	28.47 (723)
	25.38 (645)	12B	28.97 (736)
	26.55 (673)	12C	30.09 (764)
	26.59 (675)	12D	30.18 (767)
18 (457)	32.5 (826)	18	36.09 (917)
24 (610)	39.5 (1003)	24	43.09 (1094)

These dimensions are subject to change without notice and should not be used for preparation of drawings or fabrication of installation mounting. For current installation manuals and other product information, see www.jordancontrols.com.

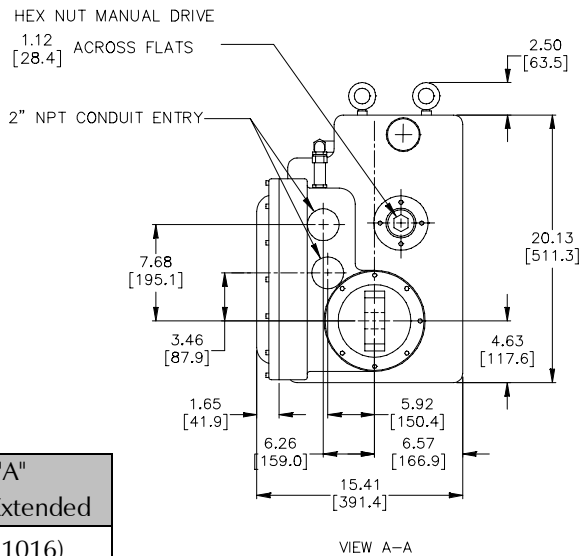
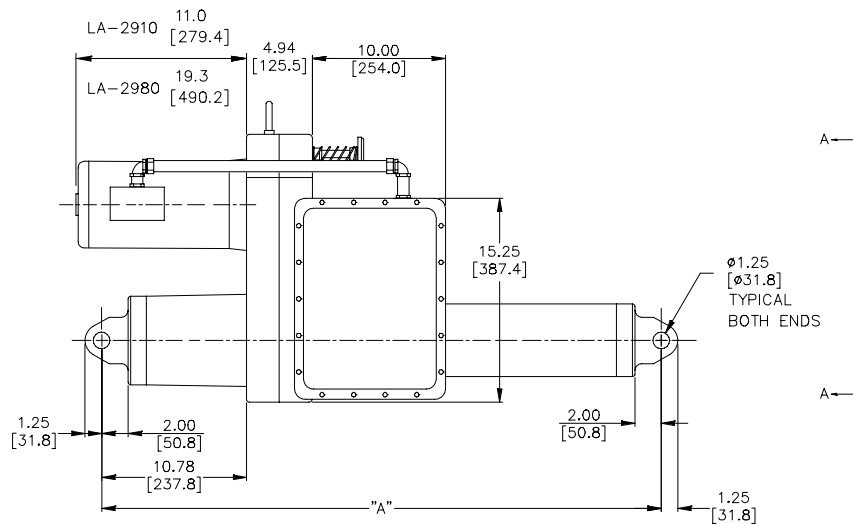
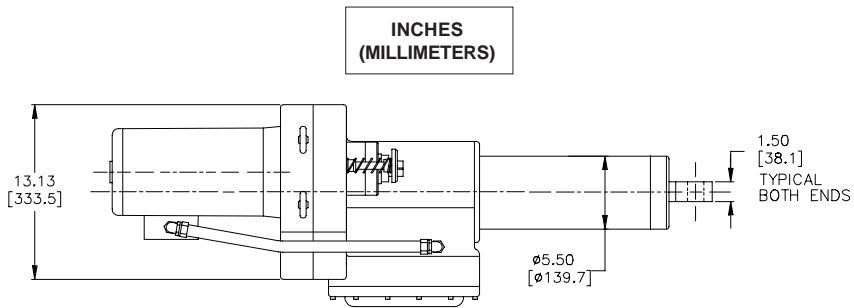
LA-2600/LA-2700 MAJOR DIMENSIONS



MAXIMUM THRUST -lbf (N)		"B"	Dimension (Stroke Length)				
LA-2600	LA-2700		6 in. (152 mm)	12 in. (305 mm)	18 in. (457 mm)	24 in. (610 mm)	30 in. (762 mm)
2500 (11120)	-	"A"	22.41 (569)	28.41 (722)	35.35 (898)	42.29 (1074)	49.23 (1250)
3600 (16013)	3600/4675 (16013/20794)		25.02 (636)	31.02 (788)	37.96 (964)	44.90 (1140)	51.84 (1317)
4700 (20906)	4700/5900 (20906/26243)		24.10 (612)	30.10 (765)	37.04 (941)	43.98 (1117)	50.92 (1293)
6150 (27355)	6150/7000 (27355/31136)		25.95 (659)	31.95 (812)	38.89 (988)	45.83 (1164)	52.77 (1340)

These dimensions are subject to change without notice and should not be used for preparation of drawings or fabrication of installation mounting. For current installation manuals and other product information, see www.jordancontrols.com.

LA-2900 MAJOR DIMENSIONS



Stroke in. (mm)	"A" Fully Retracted	"A" Fully Extended
6 (152)	34 (864)	40 (1016)
12 (305)	40 (1016)	52 (1321)
18 (457)	48 (1219)	66 (1676)
24 (610)	54 (1372)	78 (1981)
30 (762)	60 (1524)	90 (2286)

These dimensions are subject to change without notice and should not be used for preparation of drawings or fabrication of installation mounting. For current installation manuals and other product information, see www.jordancontrols.com.